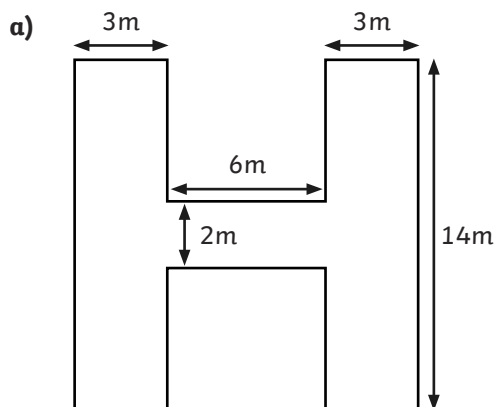
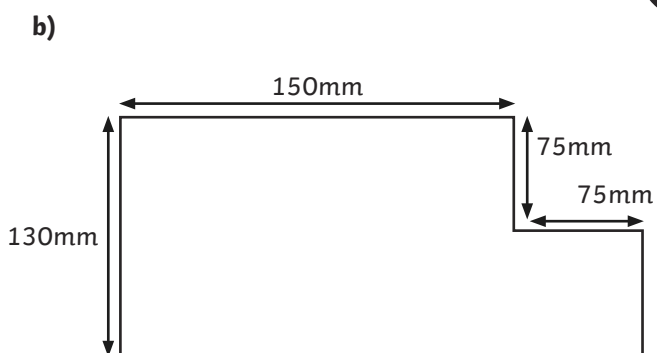




1) Find the area of the following shapes.

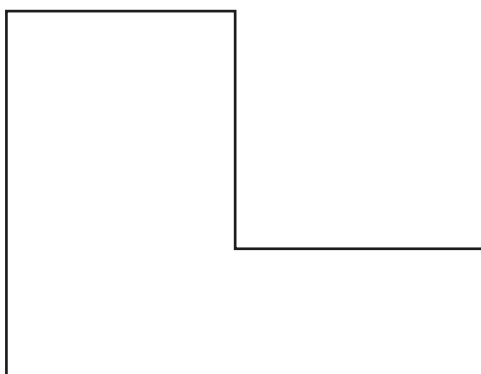


area = _____



area = _____

2) Use a ruler to draw on the ways you could split this shape to work out its area.

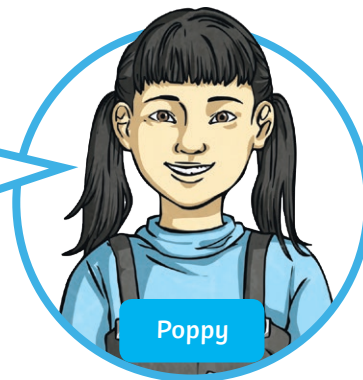


1) Draw 3 different compound shapes, each with an area of 45cm^2 .



2)

The only way of finding the area of a compound shape is to split it into smaller rectangles, find their areas, then add them together?



Do you agree with her?
Explain your answer:

1) Ianto wants to calculate the area of this shape.

a) He says, "It is impossible to work out the area of this shape without more measurements." Is he right?

Prove it!

b) Investigate how many more measurements Ianto needs in order to find the area.

c) If the total area is 107cm^2 , what could the missing lengths be?

